

S3215E/S3219E

ELECTRIC SLAB SCISSOR LIFTS



- Self-propelled electric scissor lifts
- Compact & nimble
- Drives through a standard doorway
- Suitable for indoor and outdoor use
- Easy to use & maintain

 **snorkel**
www.snorkellifts.com

ELECTRIC SLAB SCISSOR LIFTS S3215E/S3219E

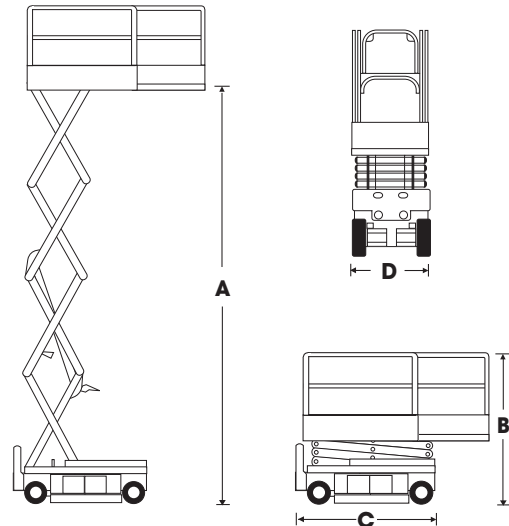
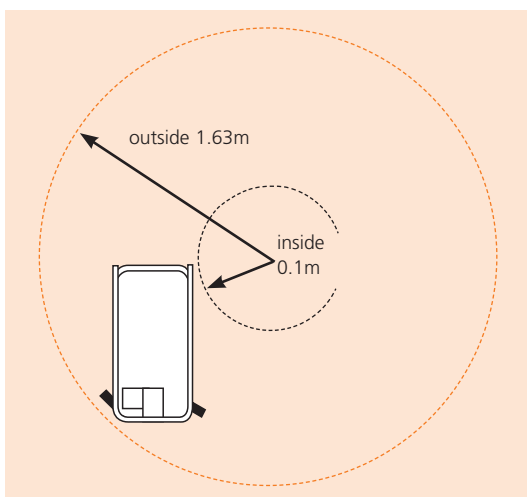
DIMENSIONS	S3215E	S3219E
Max. working height	6.6m	7.79m
Max. platform height (A)	4.6m	5.79m
Platform size (stowed)	0.68m x 1.64m	0.68m x 1.64m
Platform size (extended)	0.68m x 2.53m	0.68m x 2.53m
Extension deck length	0.89m	0.89m
Overall length (with step) (C)	1.78m	1.78m
Overall length (without step)	1.74m	1.74m
Overall width (D)	0.81m	0.81m
Stowed height (B)	1.91m	2.0m
Min. height (guardrails folded)	1.59m	1.65m
Ground clearance (stowed)	64mm	64mm
Ground clearance (elevated)	19mm	19mm

PERFORMANCE	S3215E	S3219E
Platform capacity (SWL)	272kg	250kg
Max. drive height	4.6m	5.79m
Max. wind speed	12.5m/s	12.5m/s
Max. drive speed (stowed)	3.2km/h	3.2km/h
Max. drive speed (elevated)	0.6km/h	0.6km/h
Raise/lower time	20/38 sec	20/38 sec
Gradeability	25%	25%
Inside turning radius	0.1m	0.1m
Outside turning radius	1.63m	1.63m
Tires	12 x 4 non-marking rubber	
Controls	proportional	proportional
Drive system	2 wheel drive	2 wheel drive

POWER	S3215E	S3219E
Power source	24V DC battery electric	
Charger	90 - 240V, 25amp	

WEIGHT	S3215E	S3219E
Weight	1,238kg	1,611kg

TURNING RADIUS



STANDARD FEATURES

- Roll-out deck extension with dual locks
- Non-marking tyres
- Loading control pendant
- Swing-out service trays
- Saloon-door style entry gates
- Descent alarm
- All motion alarm
- Key switch
- 2 persons + equipment capacity indoor
- 1 person + equipment capacity outdoor
- Proportional controls, including descent
- Power line to platform
- Hour meter & onboard diagnostics display
- Integrated battery charger
- Battery condition indicator
- Crane & forklift points
- Dual lanyard attachments points
- Flashing amber light
- Scissor stack roller slide plates (set of 2)
- 2 year parts & labour, 5 year structural warranty
- CE approved

OPTIONS

- Special paint colours
- Environmental hydraulic oil
- Airline to platform
- Aircraft bumpguard package

snorkel

Vigo Centre, Birtley Road,
Washington, Tyne & Wear,
NE38 9DA, U.K.

t: +44 (0) 845 1550 057
e: sales@snorkellifts.com

www.snorkellifts.com