

TL49J

TOWABLE BOOM LIFT



- Heavy-duty trailer mounted boom lift
- Superb working envelope with articulating/telescopic boom
- Easy to use live hydraulic controls
- Simple to maintain
- Range of power source options

 **snorkel**
www.snorkellifts.com

TOWABLE BOOM LIFT

TL49J

DIMENSIONS TL49J

Max. working height	16.7m
Max. platform height	14.7m
Max. working outreach	8.5m
Platform width (C)	1.14m
Platform depth	0.7m
Outrigger footprint (A x B)	4.8m x 4.7m
Towing width (F)	1.72m
Towing length (E)	7.1m
Stowed height (D)	2.16m

PERFORMANCE

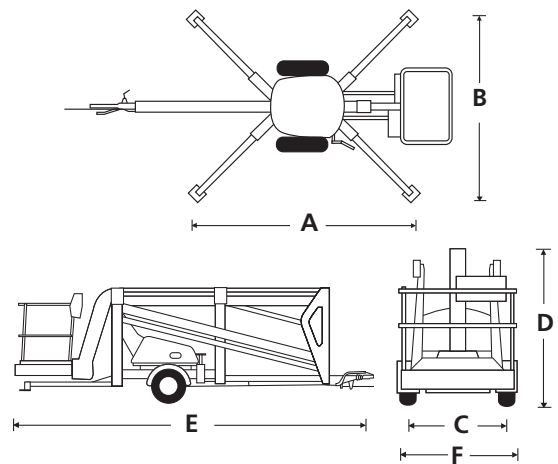
Platform capacity (SWL)	200kg
Max. wind speed	12.5m/s
Jib length	1.3m
Jib arc	130°
Platform rotation	90°
Turret rotation (non-continuous)	680°
Wheels	205/75R16
Controls	hydraulic proportional

POWER

Power source	24V battery (4 x 6V 195Ah batteries)
Power options	Bi-energy (combustion + battery); 230V mains

WEIGHT

Weight (battery model)	2,389kg
------------------------	---------



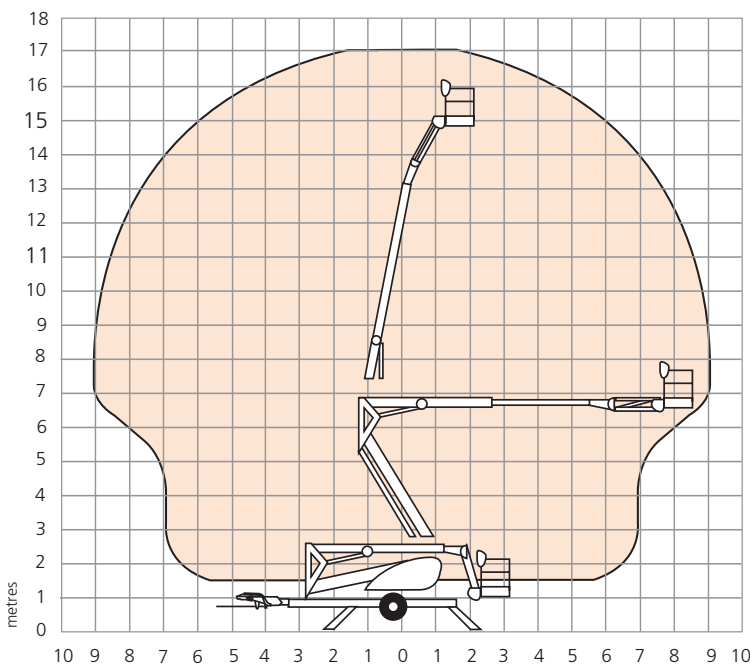
STANDARD FEATURES

- Hydraulic outriggers
- In-line boom design for maximum rigidity
- Hand pump emergency lowering from platform
- Lock valves on all hydraulic cylinders
- Proportional live hydraulic controls
- Integral road lighting board
- Power line to platform
- 2 year parts & labour, 5 year structural warranty
- CE approved

OPTIONS

- Special paint colours
- Friction drive assist package
- Work lights in platform
- Flashing amber light
- Airline to platform
- Nylon spreader pads (set of 4)
- Environmental hydraulic oil

WORKING ENVELOPE



snorkel www.snorkellifts.com

Vigo Centre, Birtley Road,
Washington, Tyne & Wear,
NE38 9DA, U.K.

t: +44 (0) 845 1550 057

e: sales@snorkellifts.com