

A62JRT

ARTICULATED BOOM LIFT



- High performance articulated boom lift
- Class-leading working envelope
- Powerful 4 wheel drive with oscillating axle
- Ultra-tight turning radius
- Compact dimensions and zero tailswing

 **snorkel**
www.snorkellifts.com

ARTICULATED BOOM LIFT

A62JRT

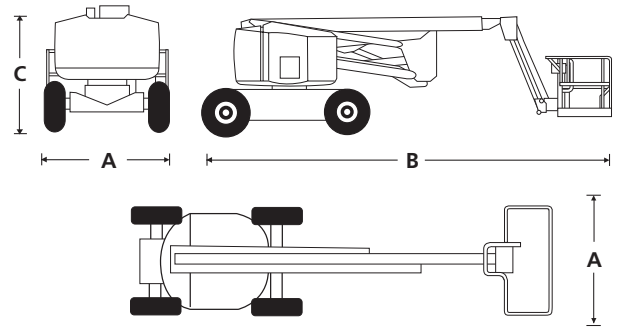
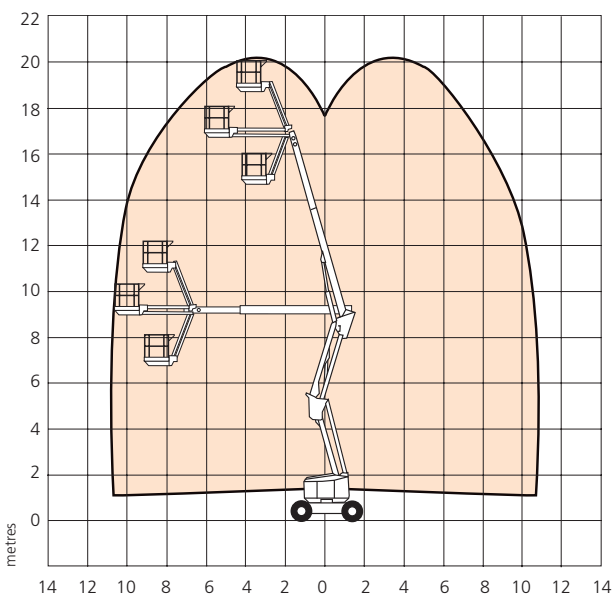
DIMENSIONS	A62JRT
Max. working height	20.8m
Max. platform height	18.8m
Max. working outreach	11.1m
Clearance height at max. outreach	9.0m
Platform size	2.44m x 0.91m
Overall width (A)	2.4m
Transport length	8.5m
Overall length (B)	8.6m
Stowed height (C)	2.6m
Ground clearance	350mm

PERFORMANCE	
Platform capacity (SWL)	227kg
Max. drive height	18.8m
Max. wind speed	12.5m/s
Max. drive speed (stowed)	6.1km/hr
Max. drive speed (elevated)	1.2km/hr
Jib length	1.8m
Jib arc	136°
Platform rotation	180°
Turret rotation (continuous)	360°
Tailswing	0m
Gradeability	45%
Inside turning radius	1.4m
Outside turning radius	4.6m
Tyres	355/55 D625 foam filled lug
Controls	multi-function, proportional drive, raise and slew
Drive system	4WD hydrostatic with oscillating axle

POWER	
Power source	Kubota V2403M-T 44kW/59HP - Tier 4 Final

WEIGHT	
Weight	10,659kg

WORKING ENVELOPE



STANDARD FEATURES

- Snorkel Guard™ secondary guarding system
- Powerful hydrostatic 4 wheel drive
- Oscillating axle
- Zero tailswing
- Ultra-tight turning radius
- Swing-out engine tray
- Hour meter
- Motion alarm
- Horn
- Power line to platform
- Flashing amber light
- Tri-entry platform
- DC emergency operation
- 2 year parts & labour, 5 year structural warranty
- CE approved

OPTIONS

- Special paint colours
- Airline to platform
- AC generator 110V/240V 2kW
- Aircraft package
- Deluxe aircraft package
- Cold weather package
- Extreme cold weather package
- Extreme environment package
- Light package
- Glazier package
- Environmental hydraulic oil
- Tool tray

snorkel www.snorkellifts.com

Vigo Centre, Birtley Road,
Washington, Tyne & Wear,
NE38 9DA, U.K.

t: +44 (0) 845 1550 057

e: sales@snorkellifts.com