

# S2255RTE/S2755RTE

## ELECTRIC NARROW ROUGH TERRAIN SCISSOR LIFTS



- Zero emission electric narrow rough terrain scissor lift with lithium-ion batteries
- Excellent rough terrain performance
- Easy to operate
- Roll-out deck extension for extra reach
- Ideal for outdoor work in confined spaces



**snorkel**<sup>™</sup>  
[www.snorkellifts.com](http://www.snorkellifts.com)

# ELECTRIC NARROW ROUGH TERRAIN SCISSOR LIFTS

# S2255RTE/ S2755RTE

| DIMENSIONS                      | S2255RTE*    | S2755RTE*    |
|---------------------------------|--------------|--------------|
| Max. working height             | 8.5m         | 10.1m        |
| Max. platform height (A)        | 6.5m         | 8.1m         |
| Platform size (stowed)          | 1.4m x 2.73m | 1.4m x 2.73m |
| Platform size (extended)        | 1.4m x 3.93m | 1.4m x 3.93m |
| Extension deck length           | 1.2m         | 1.2m         |
| Overall width (B)               | 1.45m        | 1.45m        |
| Overall length (C)              | 3.3m         | 3.3m         |
| Stowed height (D)               | 2.35m        | 2.5m         |
| Min. height (guardrails folded) | 2.0m         | 2.13m        |
| Ground clearance                | 260mm        | 260mm        |

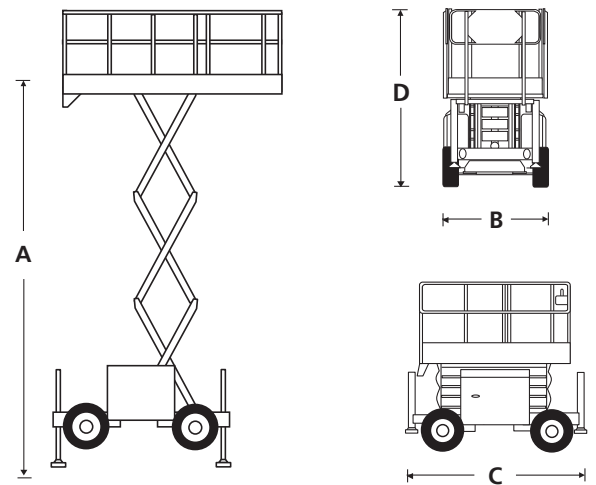
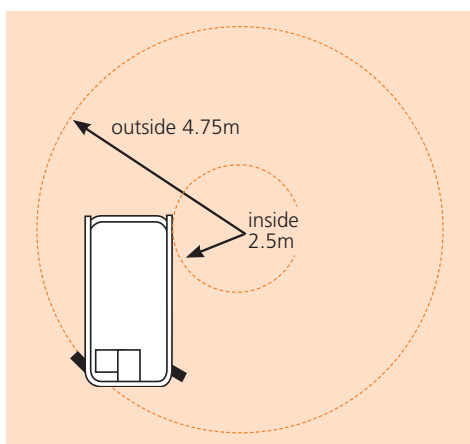
| PERFORMANCE                             |                                |           |
|---|--------------------------------|-----------|
| Platform capacity (SWL)                 | 420kg                          | 300kg     |
| Max. drive height                       | 6.2m                           | 7.8m      |
| Max. wind speed                         | 12.5m/s                        | 12.5m/s   |
| Max. drive speed (stowed)               | 5.2km/h                        | 5.2km/h   |
| Max. drive speed (elevated)             | 0.66km/h                       | 0.5km/h   |
| Raise/lower time                        | 26/30 sec                      | 26/30 sec |
| Gradeability                            | 35%                            | 35%       |
| Max. outrigger levelling, front to rear | 6°                             | 6°        |
| Max. outrigger levelling, side to side  | 10°                            | 10°       |
| Inside turning radius                   | 2.5m                           | 2.5m      |
| Outside turning radius                  | 4.75m                          | 4.75m     |
| Exit/entry angle                        | 20°                            | 20°       |
| Tyres                                   | 0.58m x 0.22m - 12 non-marking |           |
| Controls                                | proportional joystick          |           |
| Drive system                            | 4-wheel drive                  |           |

| POWER                 |   |
|-----------------------|---|
| Power source          | 11.5kWh Li-ion batteries with integrated BMS      |
| Operating temperature | (-) 25° C to (+) 60° C                            |
| Charger               | High frequency smart on-board 50A battery charger |

| MOTOR |                   |
|-------|-------------------|
| Motor | AC electric motor |

| WEIGHT |         |         |
|--------|---------|---------|
| Weight | 2,410kg | 2,750kg |

## TURNING RADIUS



## STANDARD FEATURES

- Two lithium-ion battery systems 11.5kWh
- 4-wheel drive
- 4 hydraulic stabilizers with automatic levelling
- Roll-out deck extension
- Proportional controls
- Non-marking foam filled tyres
- Power line to platform
- Drive motion alarm
- Descent alarm
- Oscillating axle
- Manual lowering valve
- Flashing amber light
- Dual lanyard attachment points
- Hour meter
- 2000 charging cycles/2 year\*\* lithium battery warranty
- 2 year parts & labour, 5 year structural warranty
- CE approved

## OPTIONS

- Special paint colours
- Additional 5.75kWh battery system
- Nylon spreader pads (set of 4)
- Environmental hydraulic oil
- Snorkel OnSite™ telematics

**snorkel** [www.snorkellifts.com](http://www.snorkellifts.com)

Vigo Centre, Birtley Road,  
Washington, Tyne & Wear,  
NE38 9DA, U.K.

t: +44 (0) 845 1550 057

e: sales.emea@snorkellifts.com