

S2770BE/S3370BE/S3970BE

COMPACT BI-ENERGY ROUGH TERRAIN SCISSOR LIFTS



- Compact bi-energy scissor lifts
- Suitable for interior and exterior use
- Non-marking, high grip tyres
- Easy to operate
- Ideal for construction sites

 **snorkel**[™]
www.snorkellifts.com

COMPACT BI-ENERGY RT SCISSOR LIFTS

S2770BE/ S3370BE/S3970BE

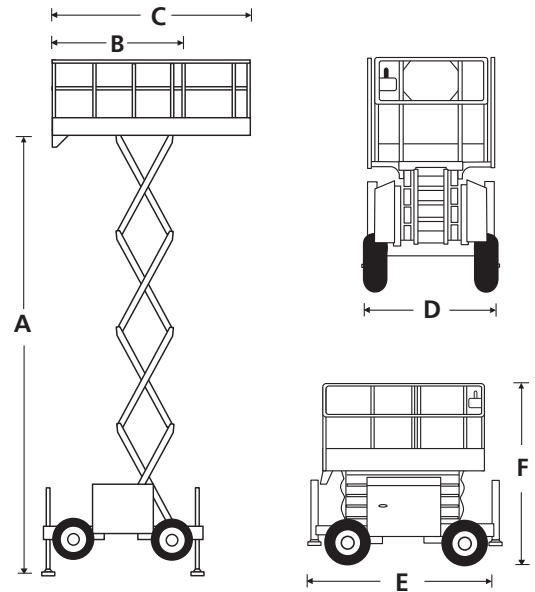
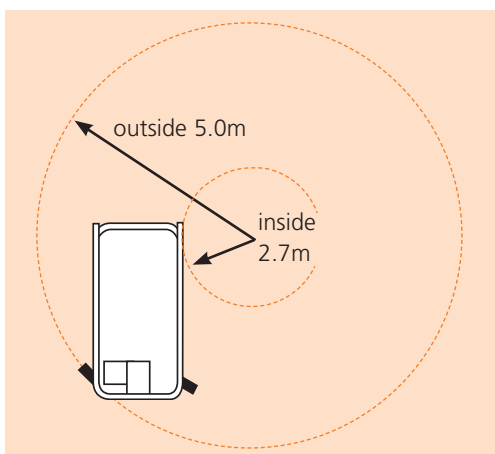
| DIMENSIONS | S2770BE | S3370BE | S3970BE |
|---------------------------------|-------------|-------------|-------------|
| Max. working height | 10.1m | 12.0m | 13.8m |
| Max. platform height (A) | 8.1m | 10.0m | 11.8m |
| Platform size (stowed) (B) | 1.6m x 2.8m | 1.6m x 2.8m | 1.6m x 2.8m |
| Platform size (extended) (C) | 1.6m x 4.0m | 1.6m x 4.0m | 1.6m x 4.0m |
| Extension deck length | 1.2m | 1.2m | 1.2m |
| Overall width (D) | 1.8m | 1.8m | 1.8m |
| Stowed length (E) | 3.4m | 3.4m | 3.4m |
| Stowed height (F) | 2.61m | 2.7m | 2.95m |
| Min. height (guardrails folded) | 1.83m | 2.0m | 2.13m |
| Ground clearance | 330mm | 330mm | 330mm |

| PERFORMANCE | | | |
|---|------------------------------------|-----------|-----------|
| Platform capacity (SWL) | 580kg | 454kg | 350kg |
| Max. drive height | 8.1m | 10.0m | 11.8m |
| Max. wind speed | 12.5m/s | 12.5m/s | 12.5m/s |
| Max. drive speed (stowed) | 4.5km/h (engine) | | |
| Max. drive speed (elevated) | 0.5km/h | 0.3km/h | 0.3km/h |
| Raise/lower time | 26/30 sec | 50/60 sec | 50/60 sec |
| Gradeability | 25% | 25% | 25% |
| Max. outrigger levelling, front to rear | 6° | 6° | 6° |
| Max. outrigger levelling, side to side | 10° | 10° | 10° |
| Inside turning radius | 2.7m | 2.7m | 2.7m |
| Outside turning radius | 5.0m | 5.0m | 5.0m |
| Tyres | 27 x 10.5 foam filled, non-marking | | |
| Controls | proportional joystick | | |
| Drive system | 4-wheel drive | | |

| POWER | |
|--------------|---|
| Power source | Kubota D-902 water-cooled diesel 22.5hp - Tier 4 Final and 4 x 6v 305Ah batteries |

| WEIGHT | | | |
|--------|---------|---------|---------|
| Weight | 3,186kg | 3,919kg | 4,090kg |

TURNING RADIUS



STANDARD FEATURES

- DC and diesel power - for indoor & outdoor work
- 4-wheel drive
- 4 hydraulic outriggers with automatic levelling
- Roll-out deck extension
- Non-marking tyres
- Proportional controls
- Flashing amber light
- Oscillating axle
- Power line to platform
- Drive motion alarm
- Descent alarm
- Fold-down guardrails
- Hour meter & on-board diagnostics display
- Dual lanyard attachment points
- Manual lowering valve
- 2 year parts & labour, 5 year structural warranty
- CE approved

OPTIONS

- Special paint colours
- Hydraulic generator 110V/240V
- Nylon spreader pads (set of 4)
- Environmental hydraulic oil
- Cold weather package
- Snorkel OnSite™ telematics

snorkel

Vigo Centre, Birtley Road,
Washington, Tyne & Wear,
NE38 9DA, U.K.

t: +44 (0) 845 1550 057

e: sales.emea@snorkellifts.com

www.snorkellifts.com